

# Siemens S7 PLC Graph Programming Training | eBook Curriculum



eBook: E40807

Amatrol's PLC Graph Programming eBook Courseware for Siemens S7 Series PLCs adds to the S7300 Siemens PLC Troubleshooting Learning Systems to teach the fundamentals of the S7 Graph programming language. The S7 Graph programming language is a flow-chart based programming language used to program machines to perform sequential control applications for Siemens S7300 and S7400 PLC processors.

In sequential control, the machine performs a series of steps using elements such as transitions, conditions, and actions. The S7 Graph language is especially suited for programming sequentially controlled machines such as plastics injection molding or clamp and drill machines, to name a few. The programming language is becoming popular in Europe and is used on specialized machines brought to the US. Maintenance personnel in the US automotive and machining industries will need to understand the S7 Graph language in order to work on these machines.

## In-Depth Curriculum

### Comprehensive PLC Graph Programming Curriculum

Amatrol's PLC graph programming curriculum teaches a variety of PLC graph programming topics, including: S7 graph programming language; project creation; actions and conditions; sequence branches; interlocks and supervisions; and diagnostic messages. Within these topics, learners will study objectives like creating an S7 graph project; adding conditions to an S7 graph project; adding an interlock to a step; and configuring and viewing S7 graph diagnostic messages.

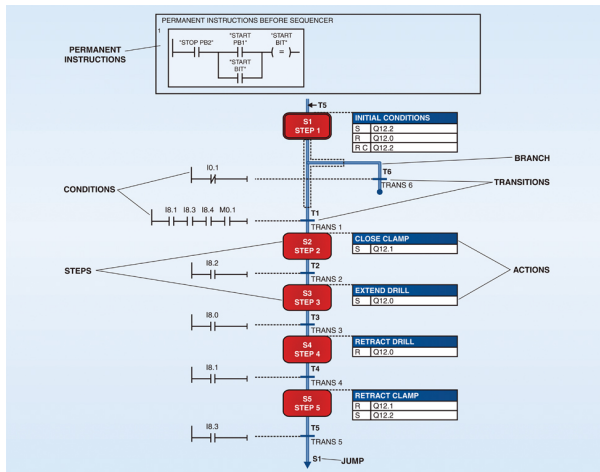
### Feature-Packed eBook Format Makes Learning Convenient

Amatrol's eBooks look like a real book and allow users to flip between pages with ease. Enhanced with features such as keyword searches and zoom controls that enable a user to quickly locate and view information, these eBooks are a fantastic learning tool. Amatrol's eBooks are available online and can be used by anyone with access to Amatrol's Learning Management System (LMS). Optionally, if you choose to use your own LMS, these eBooks are SCORM compatible to allow smooth integration into your current training system. Combined with our already extensive library of interactive multimedia titles, which are also SCORM compatible, users can now complete their

entire course work online!

## Additional Info

---



### Requires:

- Computer (see [Computer Requirements](#))

### Options:

- PLC Graph Programming Learning System - Siemens S7300 (89-GP-S7300)

---

### Address

**Amatrol**  
**2400 Centennial Blvd**  
**Jeffersonville, IN 47130**

### Contacts

**email: [contact@amatrol.com](mailto:contact@amatrol.com)**  
**phone: (800) 264 8285**